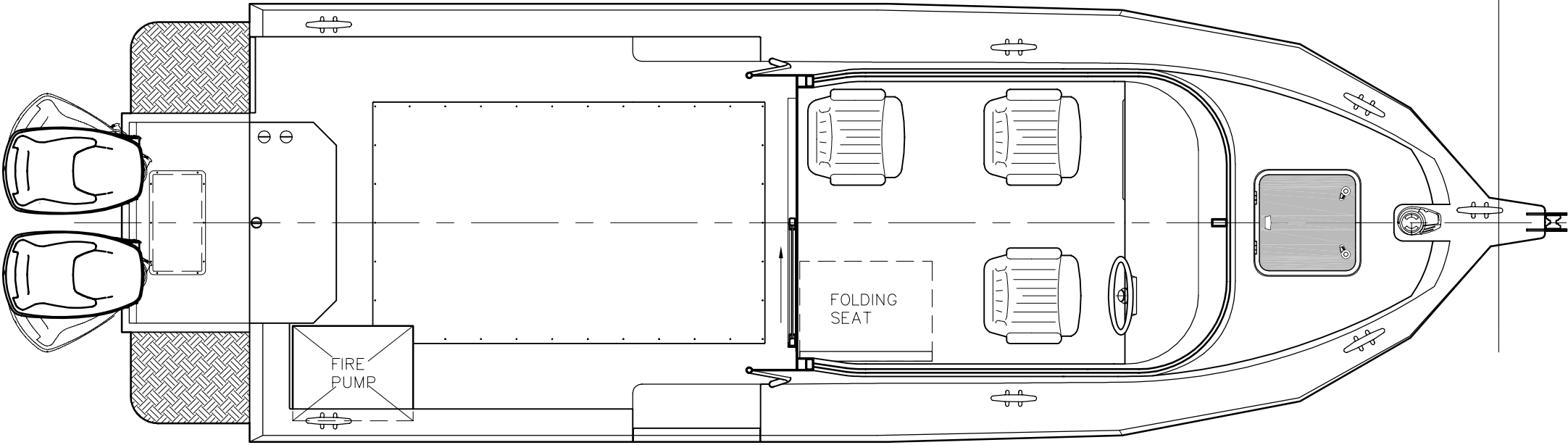
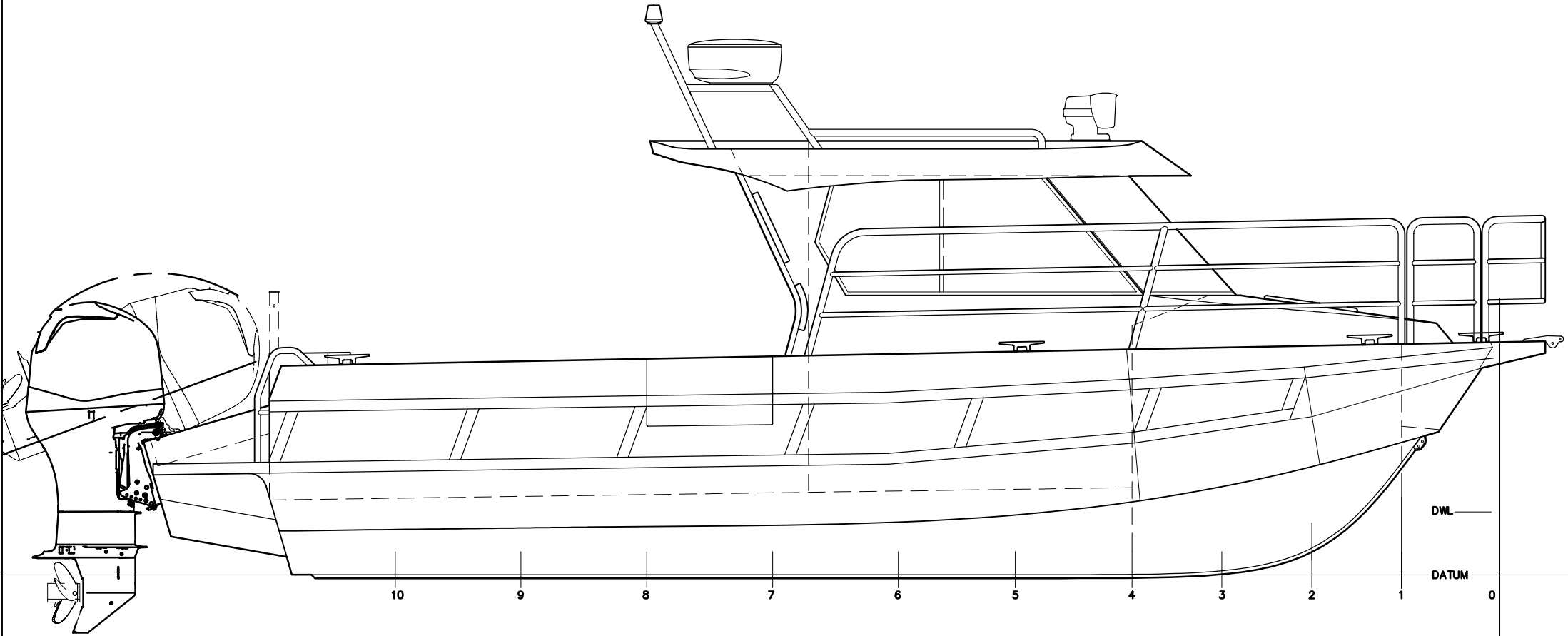
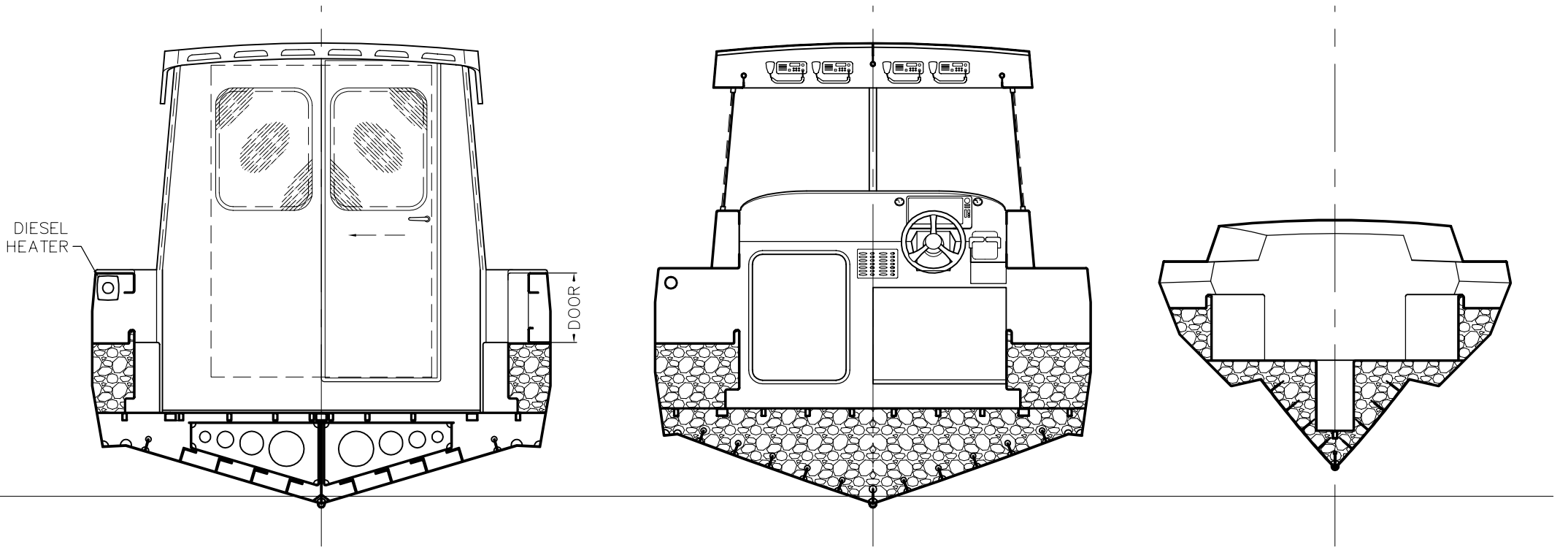


PRINCIPAL PARTICULARS

LOA: 7.6m
 LOH: 6.85m (Hull Only)
 BEAM: 2.50m (Incl Beltings)
 DRAFT: 0.43m (HULL)
 DISPL: 2650kg ON DWL
 WEIGHT: 2000kg (LIGHTSHIP)
 ENGINES: 2x150HP ETEC
 FUEL: 2x250 LITRES
 STRUCTURES: ISD 12215 (DESIGN CATEGORY B - OFFSHORE)
 SURVEY: NSCV 2C (6 CREW)



CHRIS TUCKER MARINE DESIGN PTY LTD.
 PO BOX 194, OLINDA, VICTORIA, 3788, AUSTRALIA
 PHONE +61 (0)3 9728 1754. INFO@CTMD.COM.AU

7.6m PATROL BOAT

PRELIMINARY LAYOUTS

BY CT	DATE OCT '12	SCALE 1:15 @ A1	DRWG PR
		ISSUE 3	

THIS DRAWING MAY NOT BE COPIED, COMMUNICATED TO ANY PERSON OR USED FOR MANUFACTURE WITHOUT THE EXPRESS WRITTEN CONSENT OF THE DESIGNER.