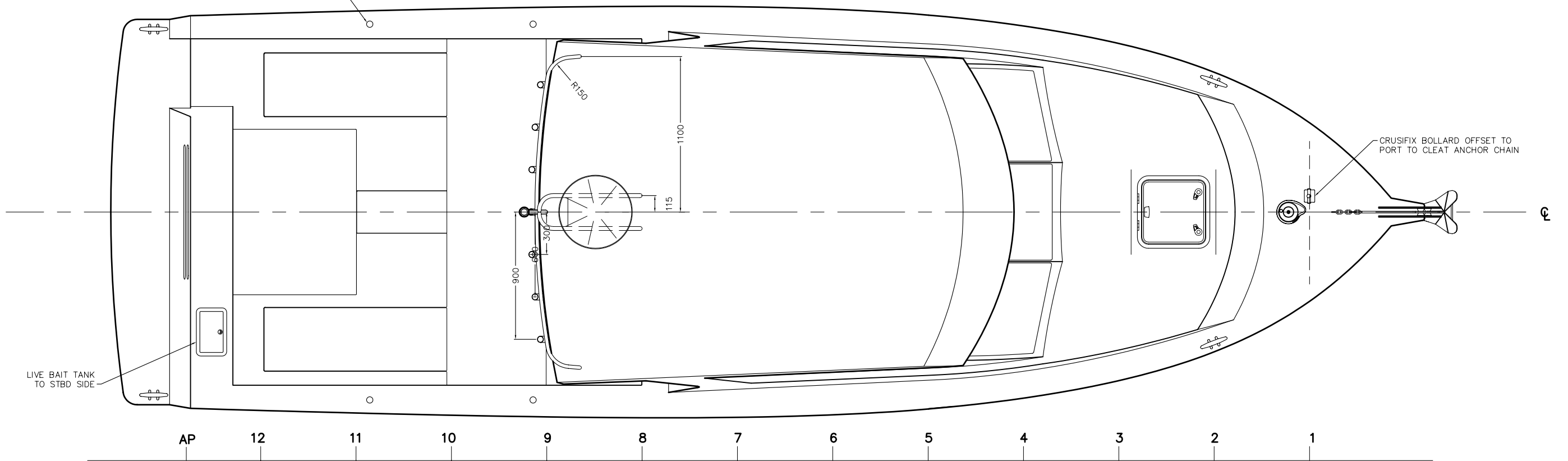
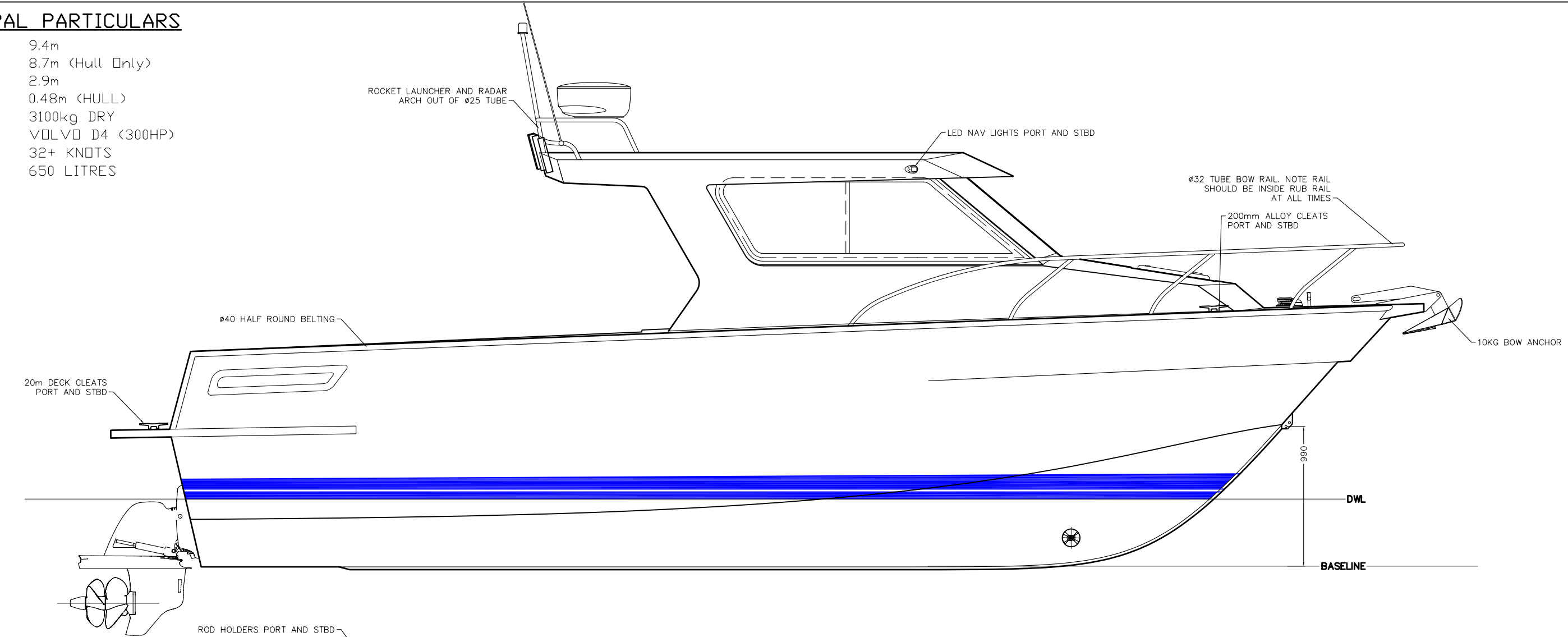


PRINCIPAL PARTICULARS

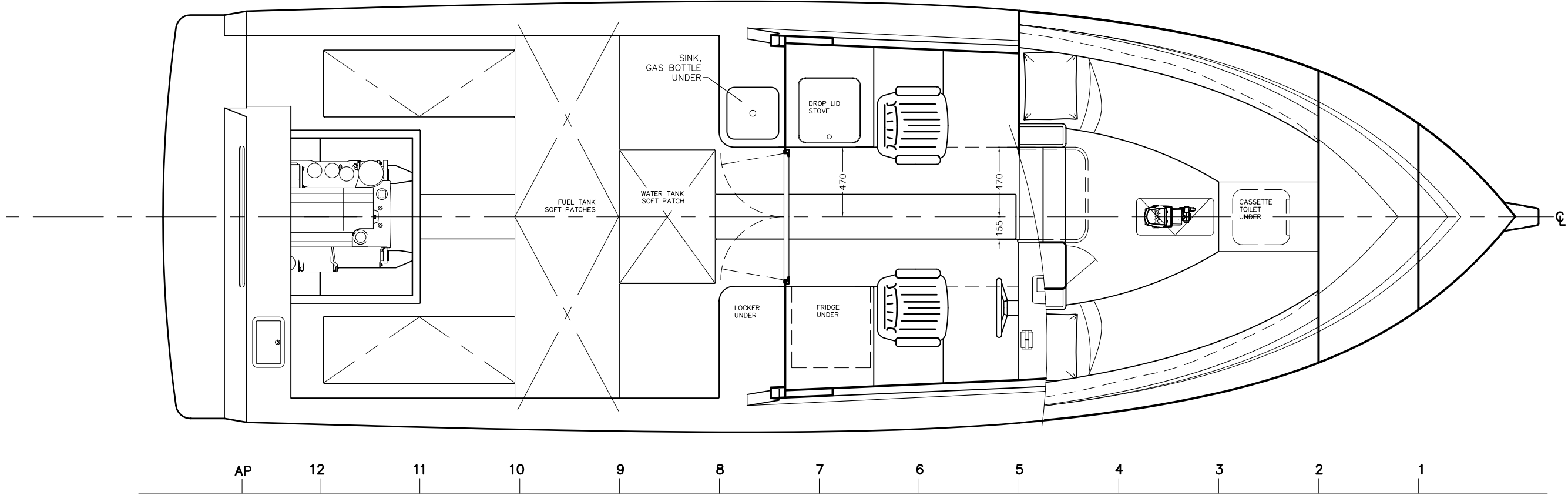
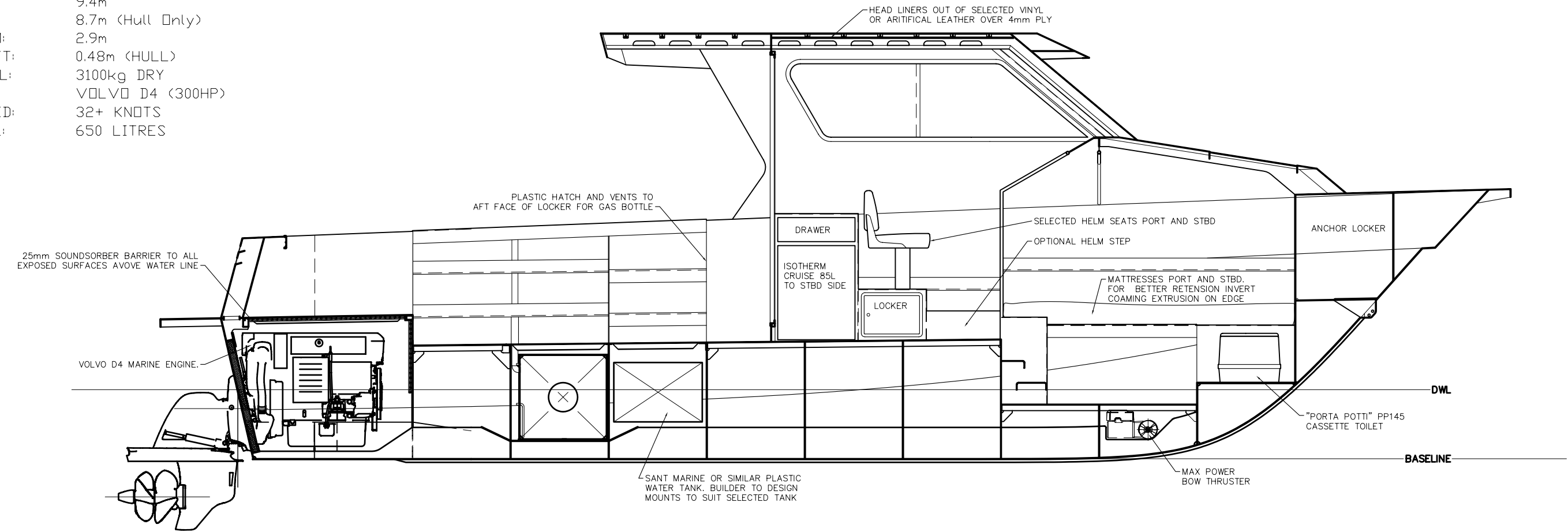
LOA: 9.4m
 LOH: 8.7m (Hull Only)
 BEAM: 2.9m
 DRAFT: 0.48m (HULL)
 DISPL: 3100kg DRY
 ENG: VOLVO D4 (300HP)
 SPEED: 32+ KNOTS
 FUEL: 650 LITRES



CHRIS TUCKER MARINE DESIGN PTY LTD.
 PO BOX 194, OLINDA, VICTORIA, 3788, AUSTRALIA
 PHONE +61 (0)3 9728 1754, INFO@CTMD.COM.AU
8.7m POWER BOAT
DECK LAYOUT
 BY CT DATE JUN' 10 SCALE 1:15 @ A1 DRWG 75/1
 THIS DRAWING MAY NOT BE COPIED, COMMUNICATED TO ANY PERSON OR USED FOR MANUFACTURE WITHOUT THE EXPRESS WRITTEN CONSENT OF THE DESIGNER.

PRINCIPAL PARTICULARS

LOA: 9.4m
 LOH: 8.7m (Hull Only)
 BEAM: 2.9m
 DRAFT: 0.48m (HULL)
 DISPL: 3100kg DRY
 ENG: VOLVO D4 (300HP)
 SPEED: 32+ KNOTS
 FUEL: 650 LITRES



CHRIS TUCKER MARINE DESIGN PTY LTD.
 PO BOX 194, OLINDA, VICTORIA, 3788, AUSTRALIA
 PHONE +61 (0)3 9728 1754, INFO@CTMD.COM.AU
8.7m POWER BOAT
GENERAL ARRANGEMENT
 BY DATE SCALE DRWG
 CT JUN' 10 1:15 @ A1 75/2
 THIS DRAWING MAY NOT BE COPIED, COMMUNICATED TO ANY PERSON OR USED FOR MANUFACTURE WITHOUT THE EXPRESS WRITTEN CONSENT OF THE DESIGNER.