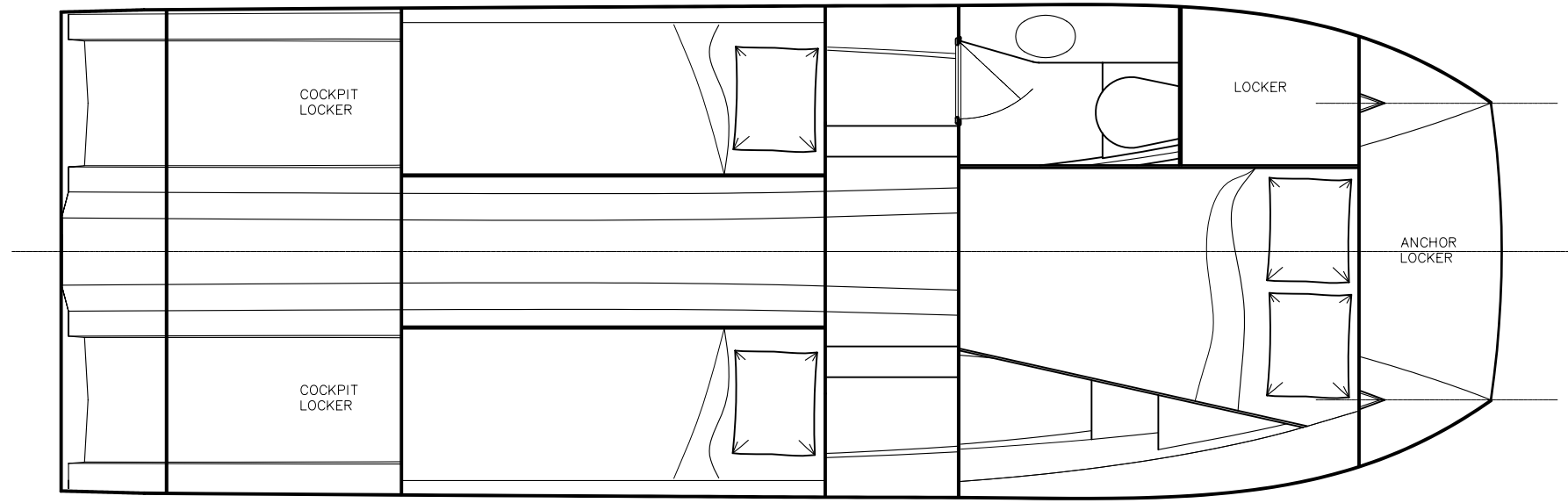
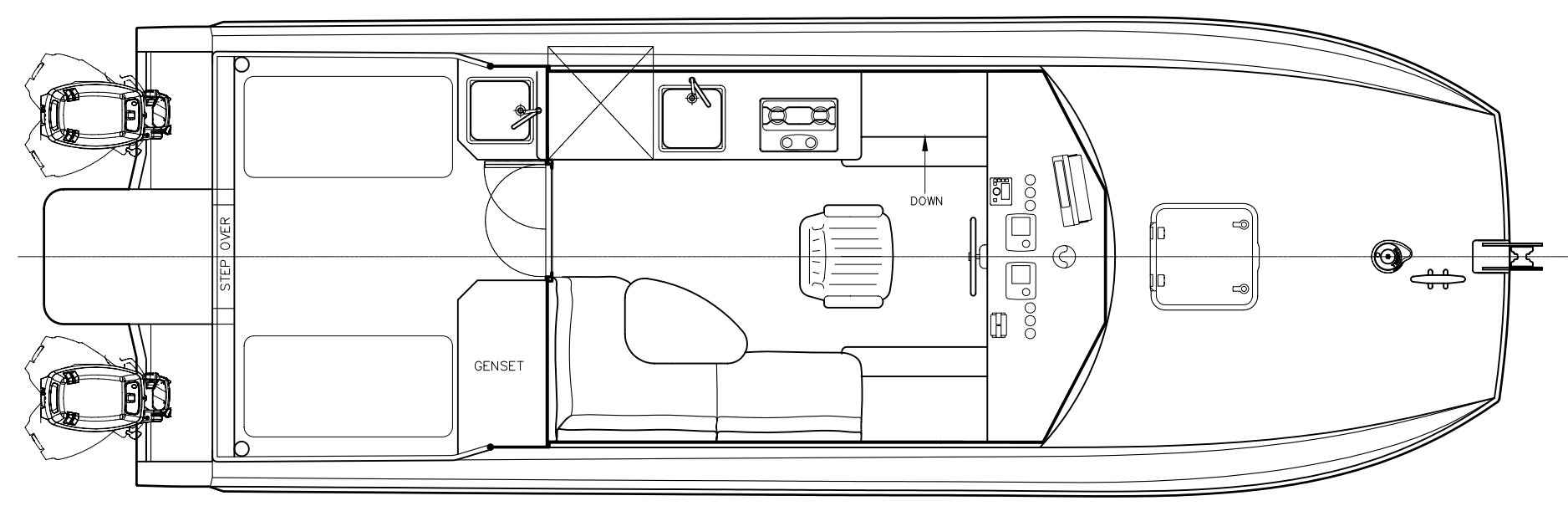
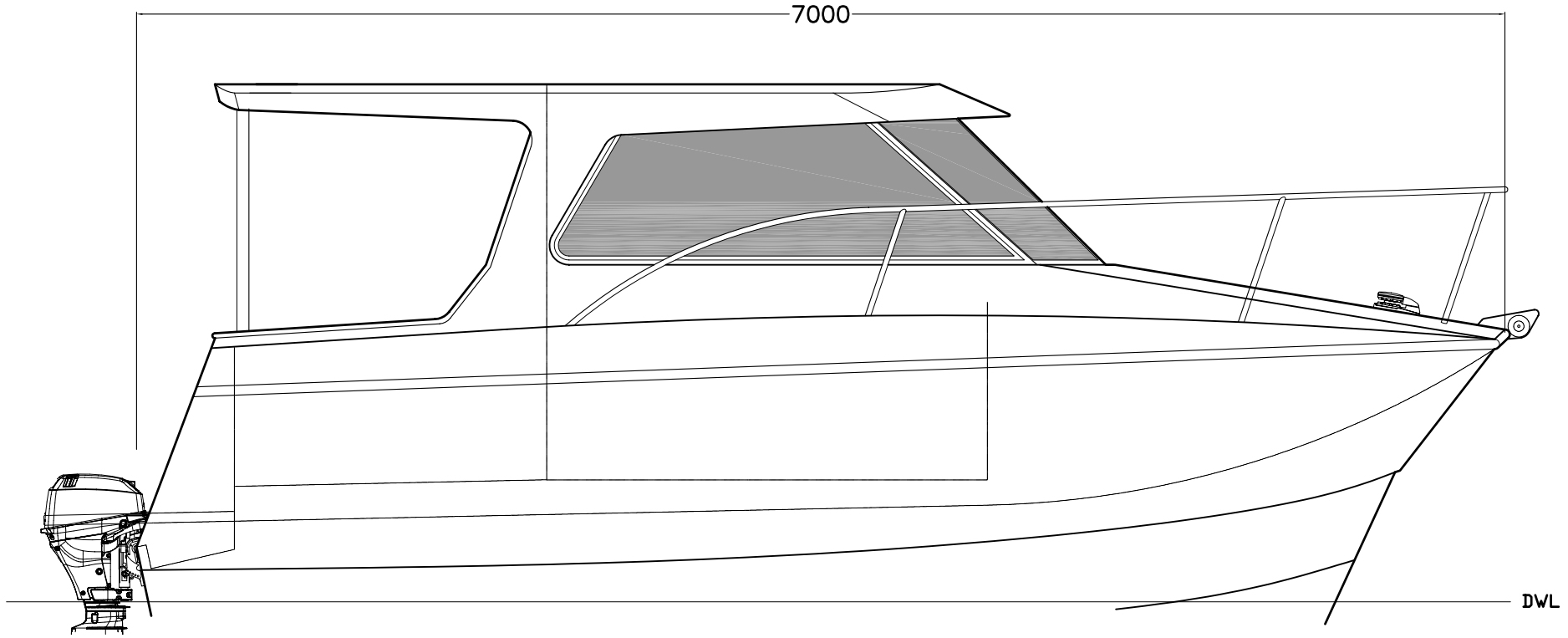


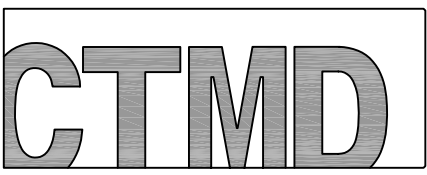
**PRINCIPAL PARTICULARS**

LOA: 7.66  
 LOH: 7.0m (HULL ONLY)  
 BEAM: 2.5m  
 DEPTH: 2.0m  
 DRAFT: 0.48m (HULL)  
 DISPL: 2000KG  
 ENG: 2x 9.9-15HP

**7.0m DISPL. CAT**  
 GENERAL ARRANGEMENT



www.platealloy.com



Kit Notes: Launcher, Fuel Tanks, Bow rail and anchor gear not included in Flat Pack Kit

This drawing is the property of CTMD 31 Perrins Creek Road Olinda, Victoria, Australia - Phone: 0400 628 379 - www.ctmd.com.au

